

Memmert GmbH + Co. KG · P.O. Box 1720 · D-91107 Schwabach

Your ref.:  
Our ref.: FSN 2013-2  
In charge/phone:  
Date: 03.05.2013

### Urgent field safety notice

Reinforcement of castor supports  
concerning

Memmert UF450plus, UF750plus, IF750plus

Dear ,

Please read this letter carefully as your safety is important to us.

#### Identification of medical products concerned:

The following product delivered to you could be affected:



Memmert GmbH + Co. KG  
Aeussere Rittersbacher Str. 38  
D-91126 Schwabach

Tel.: +49 (0) 91 22/925-0  
Fax: +49 (0) 91 22/1 45 85  
E-Mail: [sales@memmert.com](mailto:sales@memmert.com)

Director:  
Christiane Riefler-Karpa

Ltd. Partnership in Schwabach  
Registered at Nuremberg HRA 9333

Active Partner:  
Memmert GmbH at Buechenbach  
Registered at Nuremberg HRB 5945

**Description of the problem, including the root cause discovered:**

Due to an error in the assembly of a small batch recently manufactured and shipped, a lack of firmness of the castor supports may occur in individual cases. In some cases, the directional castors could tip sideways.

**What action must be taken by those receiving this letter?**

Please reinforce the castor supports of your device according to the enclosed upgrade guide. In case you have not received a set of materials with an upgrade guide or you need any help, please contact our customer service.

Please undertake the upgrade in any case even if you cannot detect impairment.

Please fill out the enclosed form and send it back to us!

**Passing on the information described here**

Please ensure that, in your organisation, all users of the products described above and other persons to be informed are briefed about this **urgent field safety notice**. In case the products have been delivered to a third party, please forward a copy of this information to them or contact the person specified below.

Please retain this information at least until the action has been completed.

The German Federal Institute for Drugs and Medical Devices has received a copy of this **urgent field safety notice**.

**Contact:**

Memmert GmbH + Co. KG

Customer Service

Phone: +49 (0)9171 9792911

Fax: +49 (0)9171 9792979

Email: [service@memmert.com](mailto:service@memmert.com)

We apologise for any inconvenience this may have caused you. However, since we are anxious to rule out any risk and maintain our high quality standards by all means, this corrective action can unfortunately not be avoided.

We would like to thank you for your cooperation,

Yours sincerely,



Head of Customer Service  
Memmert GmbH + Co. KG

Please complete this without fail since Memmert GmbH + Co. KG must verify that a corrective action has been performed!

**REPLY BY FAX to +49 (0)9171 9792979**

Memmert GmbH + Co. KG, Customer Service department

Confirmation of corrective action

Customer name: \_\_\_\_\_

Address: \_\_\_\_\_

Postal code, city: \_\_\_\_\_

Phone / fax / email: \_\_\_\_\_

Date of receipt of the **urgent field safety notice**: \_\_\_\_\_

The castor supports for Memmert device model [REDACTED] with serial number [REDACTED] has been reinforced in accordance with the upgrade guide.

\_\_\_\_\_  
Date                      Name, signature of employee responsible                      Stamp



**memmert**  
Experts in Thermostatics

# Nachrüst Refitting

ANLEITUNG INSTRUCTIONS

Rollenträger verstärken

Castor support reinforcement



100% ATMOSAFE. MADE IN GERMANY.

[www.memmert.com](http://www.memmert.com) | [www.atmosafe.net](http://www.atmosafe.net)

## Sicherheitsvorschriften



### Warnung!

Für die in dieser Anleitung beschriebenen Arbeiten muss das Gerät auf den Rücken gelegt werden. Es könnte dabei umkippen oder wegrutschen und Sie oder jemand anderen verletzen. Lassen Sie daher äußerste Vorsicht walten. Zum Umlegen des Geräts werden vier Männer benötigt. Tragen Sie Sicherheitsschuhe und Handschuhe.



## Safety instructions

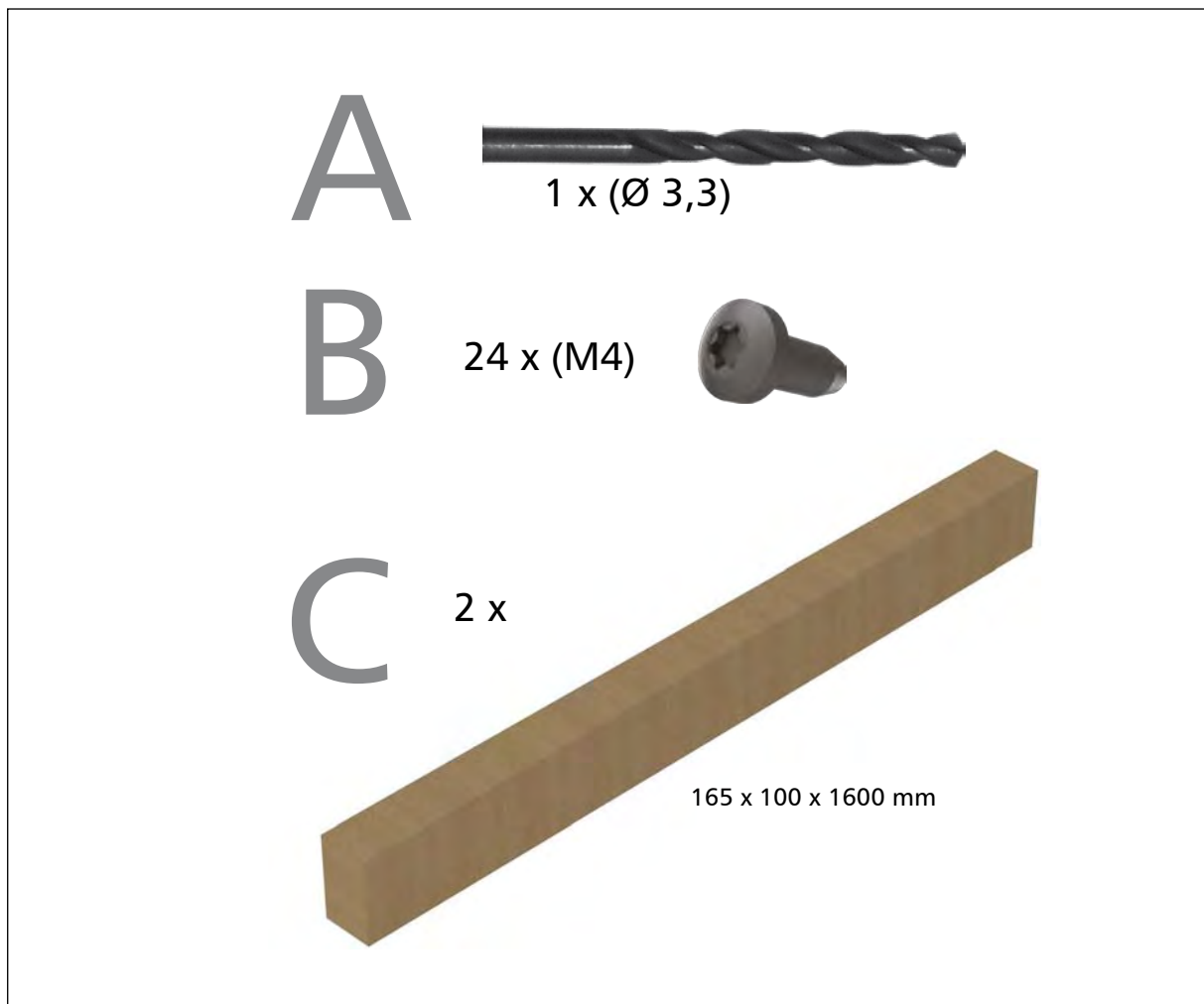


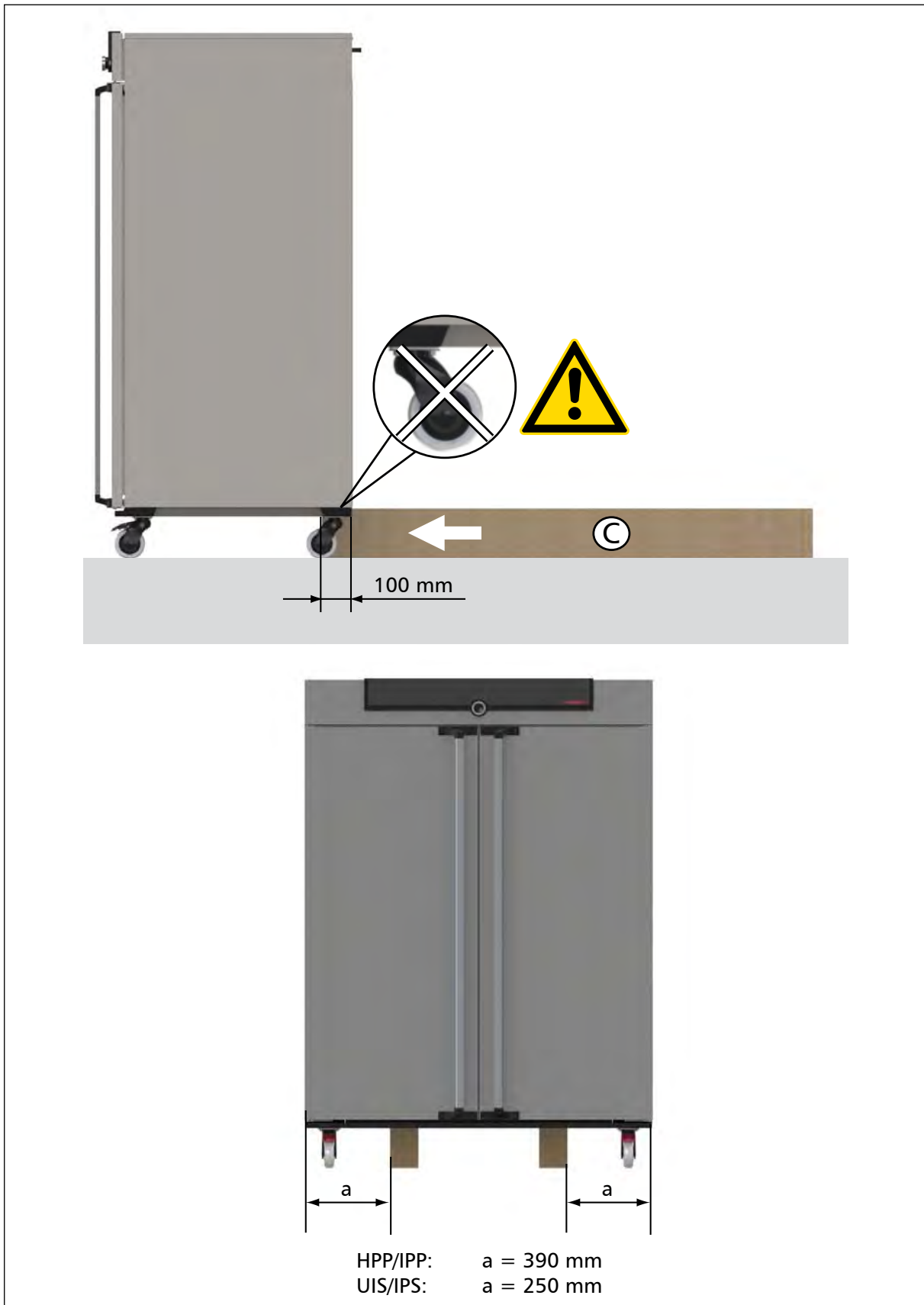
### Warning!

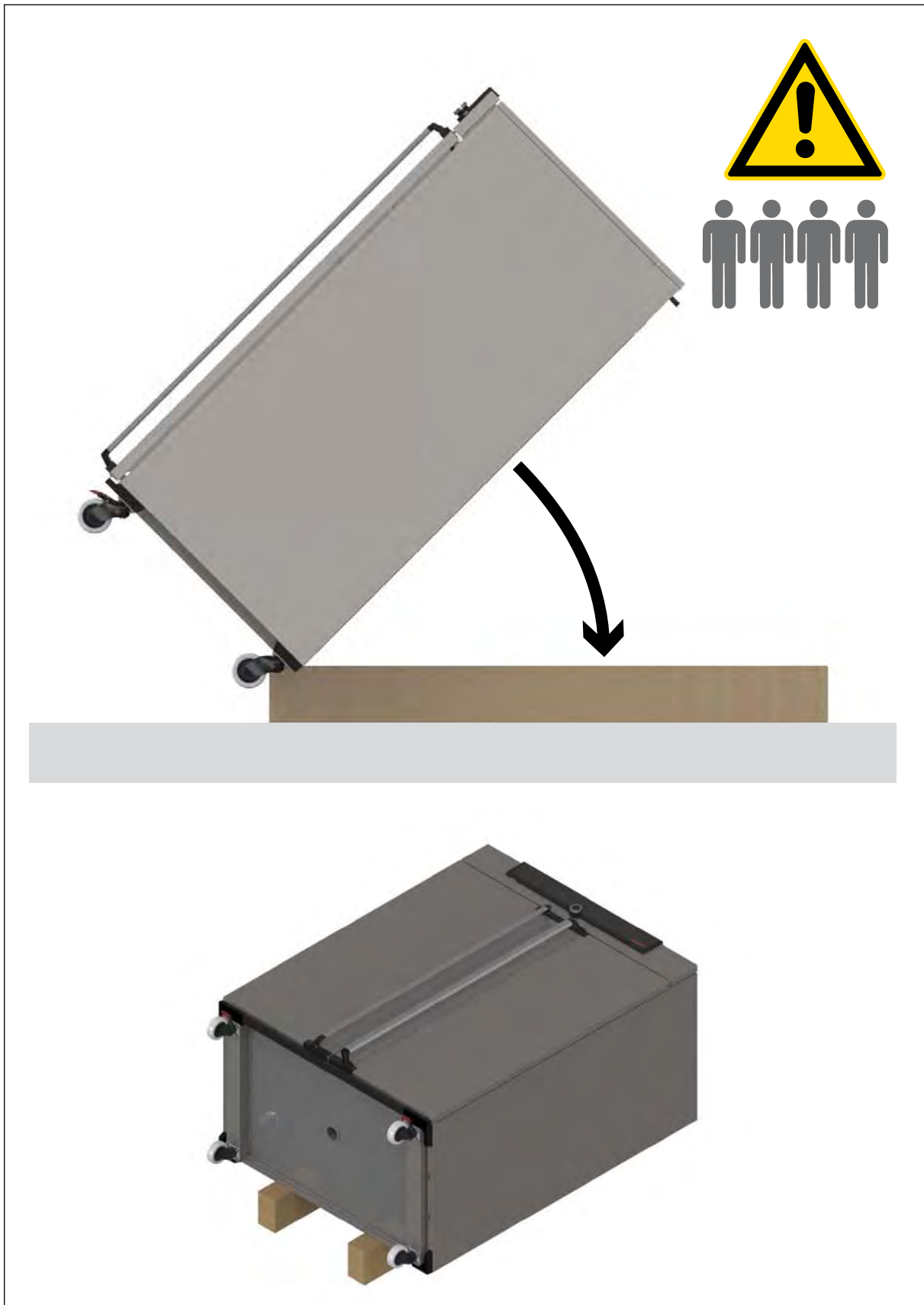
For the task described in this manual, the appliance has to be turned on its back. The appliance could slip or fall over and injure you or other people. Exercise extreme caution when turning the appliance on its back. For turning the appliance on its back, four men are required. Always wear safety boots with protective toecap and gloves.



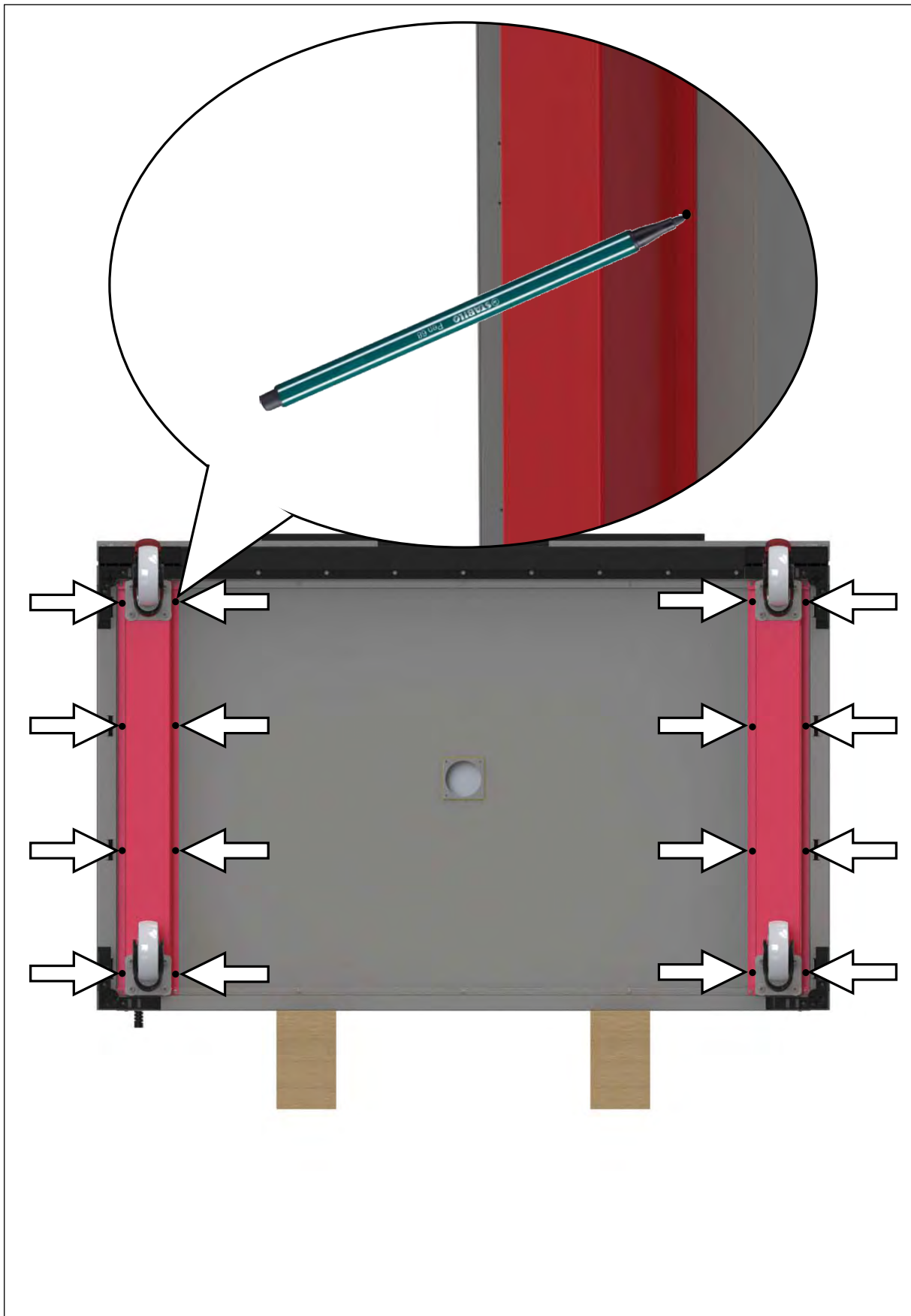
## Benötigtes Material / Required Material

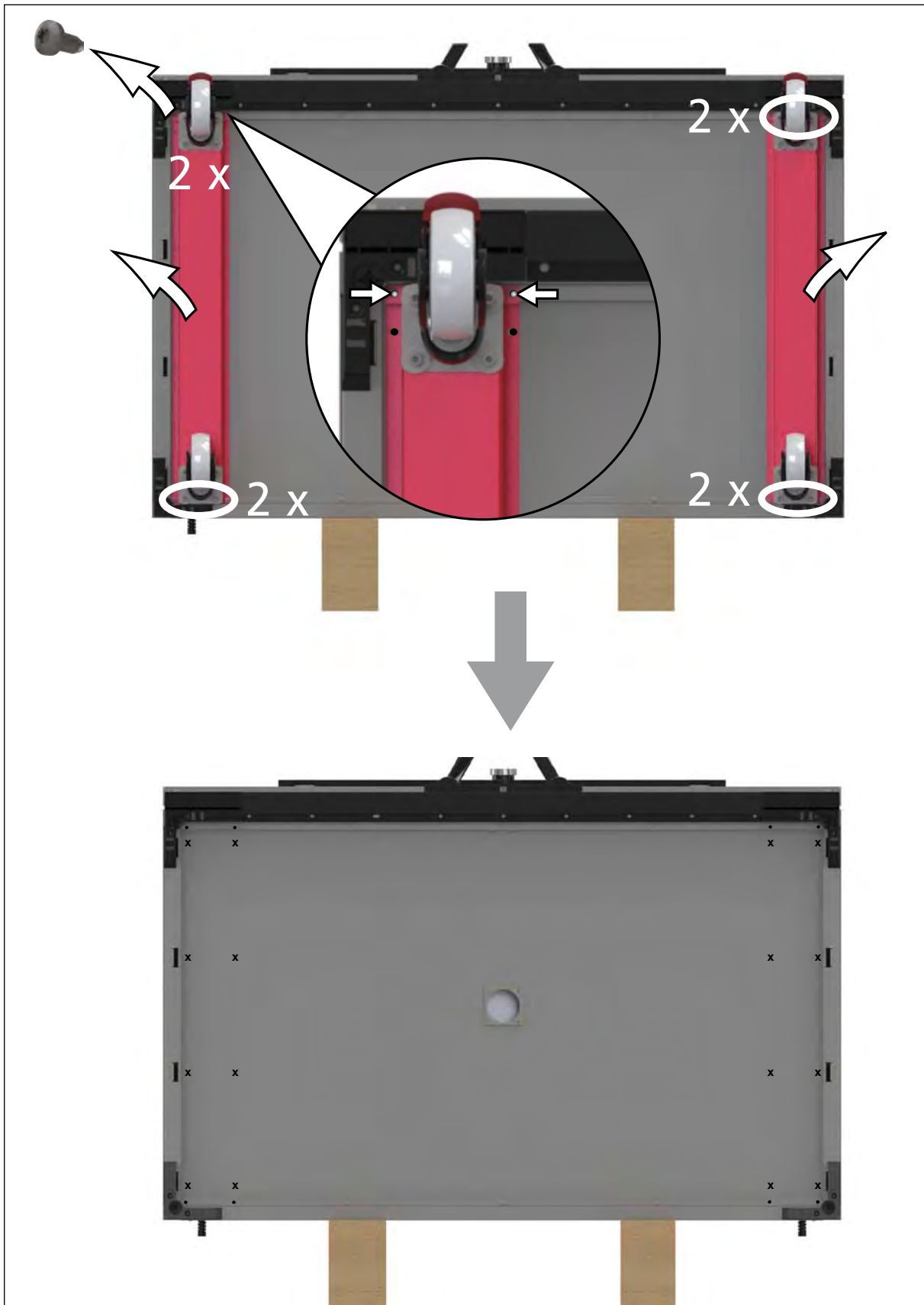


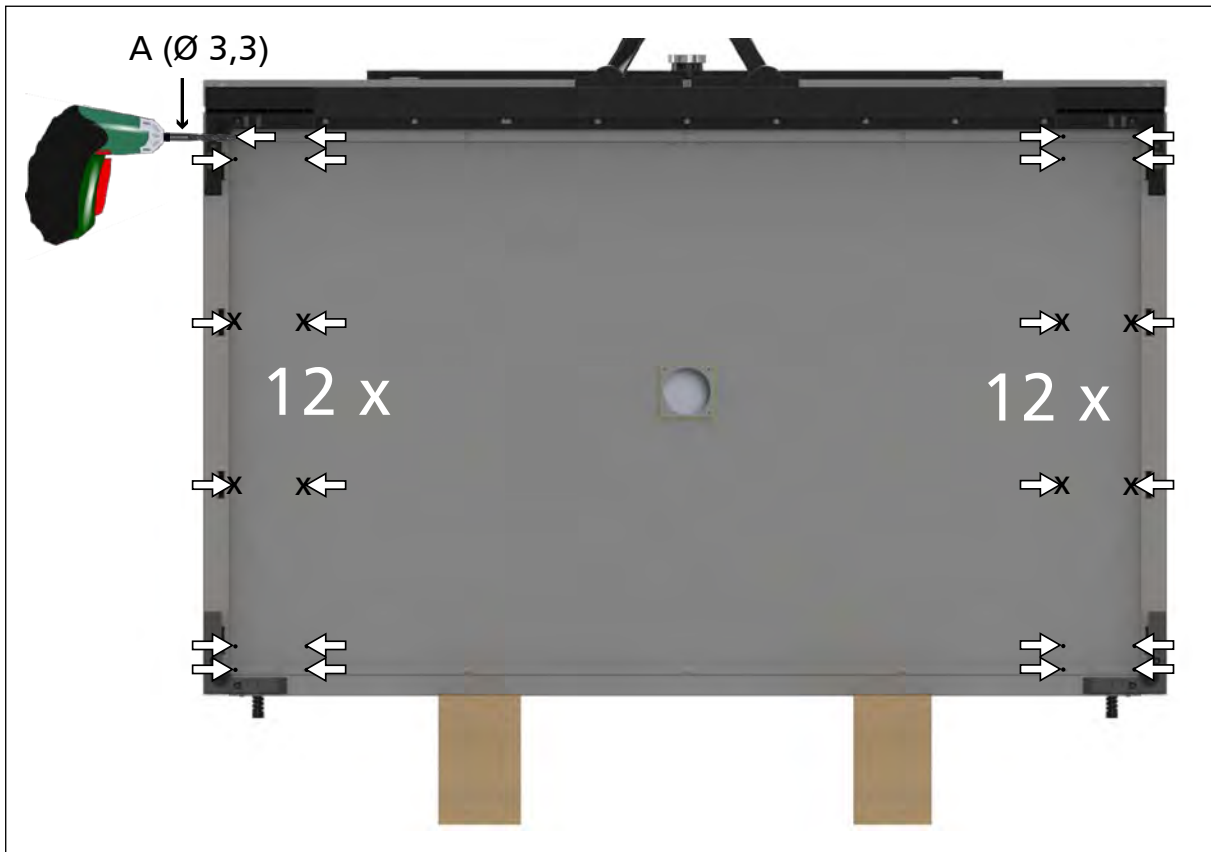


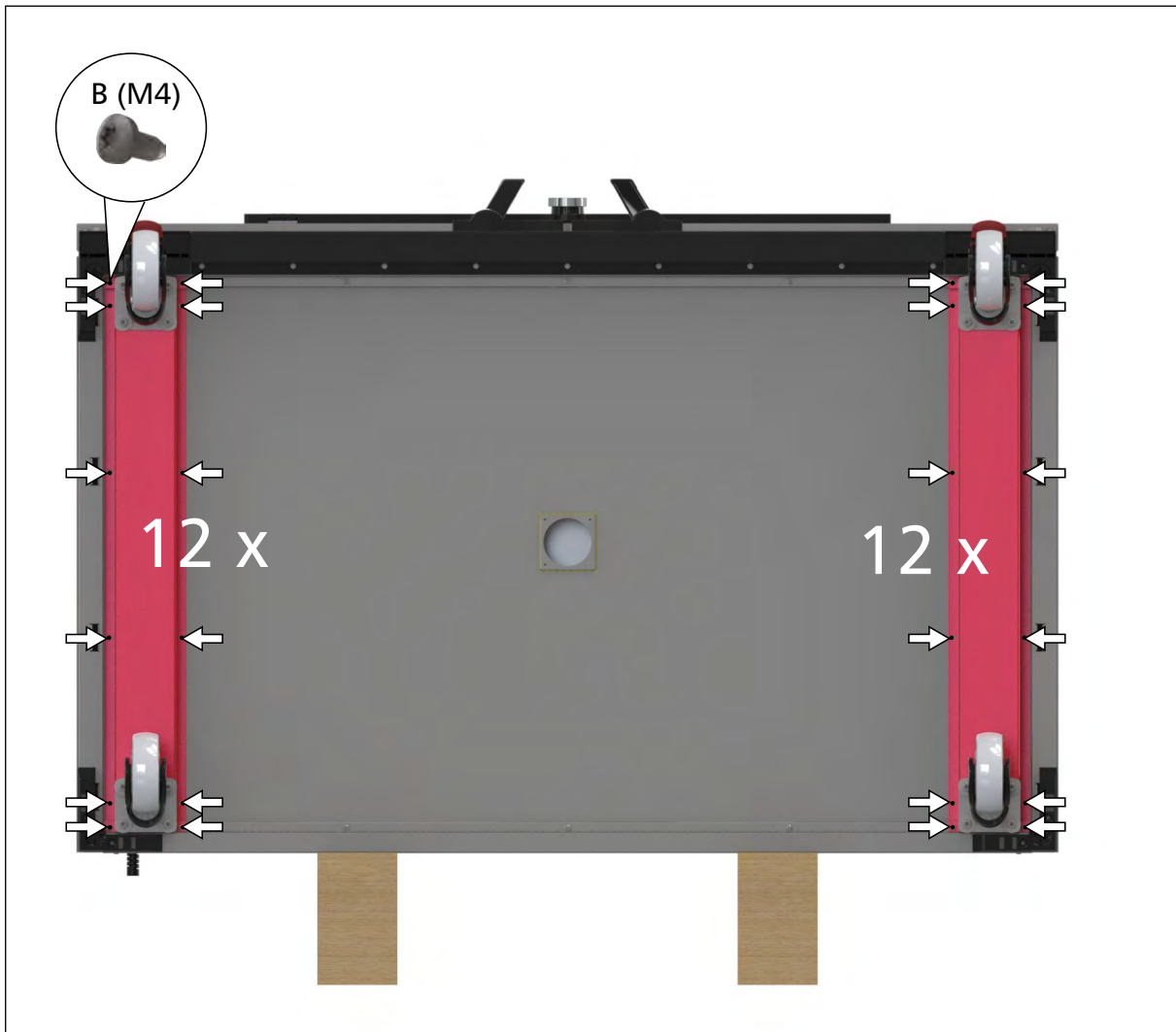


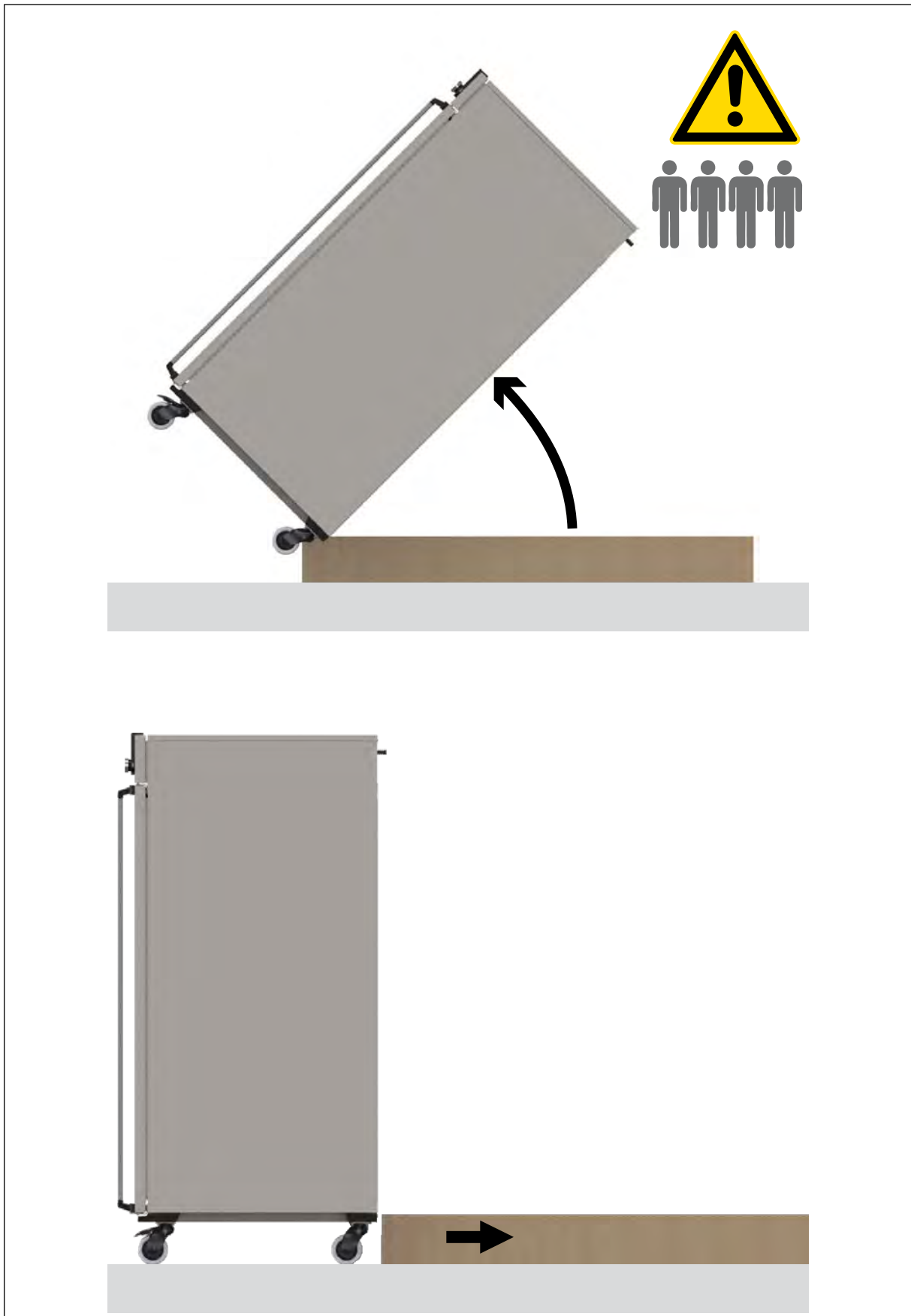


















**memmert**  
Experts in Thermostatics

10.04.2013  
D24121 // deutsch/englisch

Memmert GmbH + Co. KG  
Willi-Memmert-Straße 90-96 | D-91186 Büchenbach  
Tel. +49 9122 925-0 | Fax +49 9122 14585  
E-Mail: [sales@memmert.com](mailto:sales@memmert.com)  
[facebook.com/memmert.family](https://www.facebook.com/memmert.family)  
Die Experten-Plattform: [www.atmosafe.net](http://www.atmosafe.net)